



**OWNERS MANUAL  
NOTICE D'UTILISATION  
MANUAL DEL USUARIO**

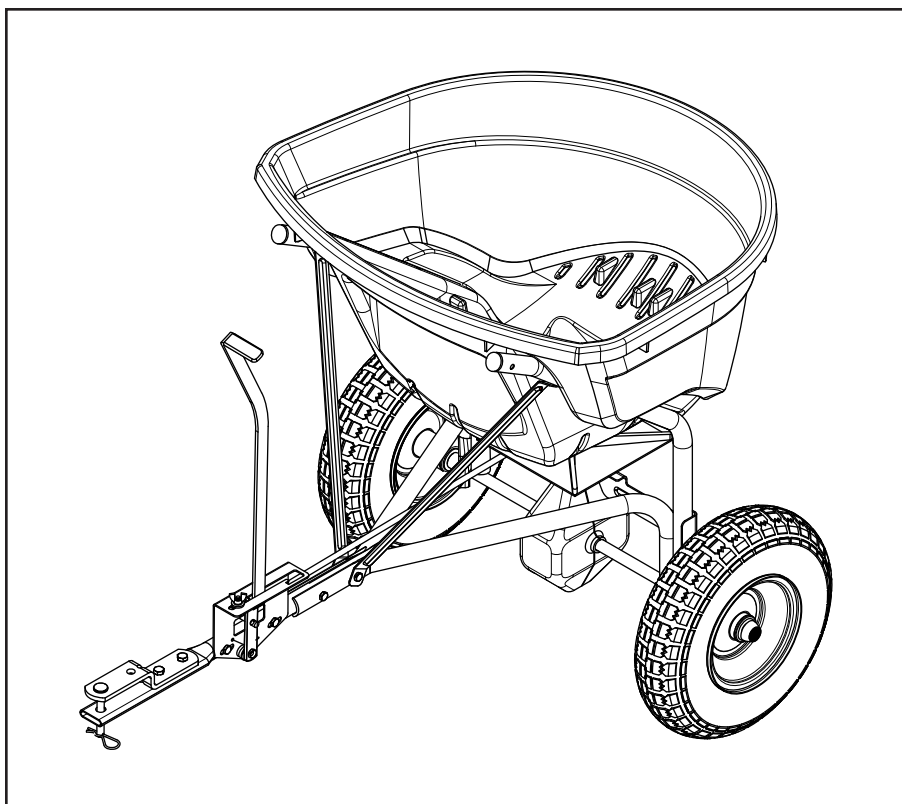
**Model No.  
Modèle No.  
Modelo No.**

**45-04631**

**CAUTION:**  
Read Rules for  
Safe Operation  
and Instructions  
Carefully

**ATTENTION:**  
Lire et suivre attentivement  
les instructions et  
consignes de sécurité de  
cette notice.

**PRECAUCION:**  
Lea cuidadosamente  
los Procedimientos e  
Instrucciones para la  
Operación Segura de la  
Máquina.



**130 LB. TOW SPREADER**

**ÉPANDEUR REMORQUÉ DE 130 LB. (59 KG)**

**ESPARCIDOR DE REMOLQUE DE 130 LBS. (59 KG)**

- |                       |                      |                             |
|-----------------------|----------------------|-----------------------------|
| • <b>Safety</b>       | • <b>Sécurité</b>    | • <b>Seguridad</b>          |
| • <b>Assembly</b>     | • <b>Assemblage</b>  | • <b>Montaje</b>            |
| • <b>Operating</b>    | • <b>Utilisation</b> | • <b>Operación</b>          |
| • <b>Maintenance</b>  | • <b>Entretien</b>   | • <b>Mantenimiento</b>      |
| • <b>Repair Parts</b> | • <b>Pièces</b>      | • <b>Piezas de repuesto</b> |




Want more information or assembly tips?  
Scan with free ShowUHow Mobile App  
available at iTunes Store or Android Market.

Call 1-800-448-9282 for missing parts or assembly help.


**SpeedEPart** *the fastest way to purchase parts* [www.speedepart.com](http://www.speedepart.com)

# SAFETY RULES

Remember, any power equipment can cause injury if operated improperly or if the user does not understand how to operate the equipment. Exercise caution at all times when using power equipment.



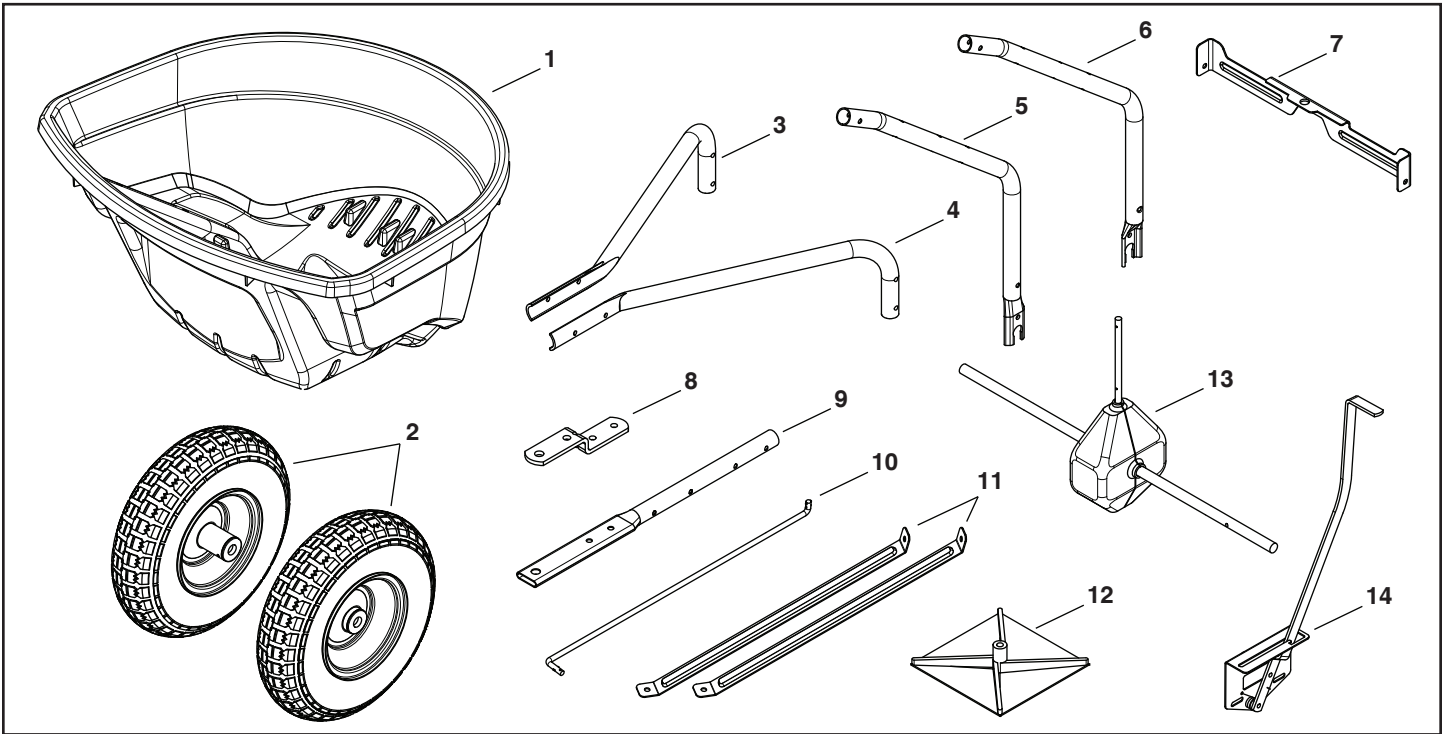
Look for this symbol to point out important safety precautions. It means — **ATTENTION!** Become alert! Your safety is involved.



**CAUTION:** vehicle braking and stability may be affected with the addition of an accessory or an attachment. Be aware of changing conditions on slopes.

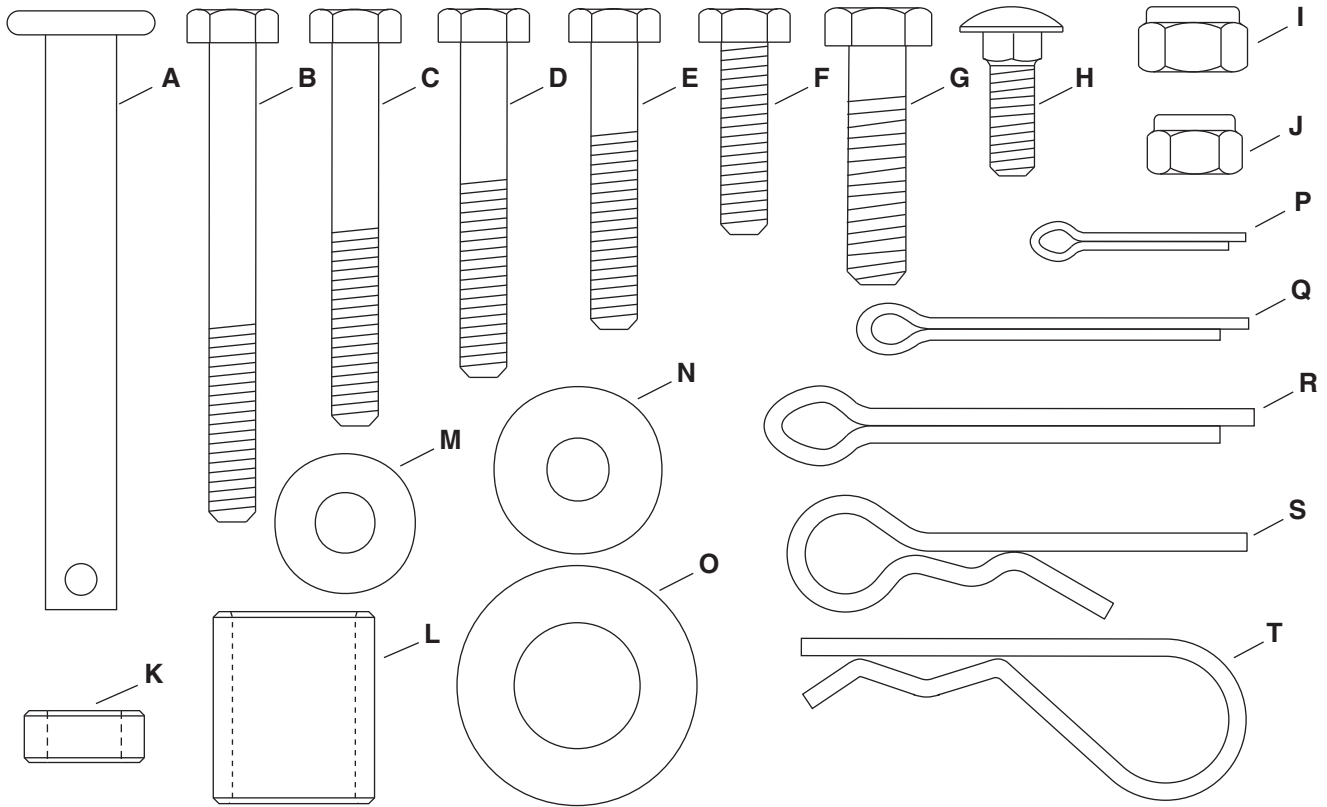
- Read the towing vehicle owners manual and towing vehicle safety rules. Know how to operate your tractor before using the broadcast spreader attachment.
- Read the chemical label instructions and cautions for handling and applying the chemicals purchased for spreading.
- Wear eye and hand protection when handling and when applying lawn or garden chemicals.
- Never operate tractor and spreader attachment without wearing substantial footwear, and do not allow anyone to ride or sit on spreader attachment frame.
- Never allow children to operate the tractor or spreader attachment, and do not allow adults to operate without proper instructions.
- Always begin with the transmission in first (low) gear and with the engine at low speed, and gradually increase speed as conditions permit. Maximum towing speed - 6 M.P.H.
- When towing broadcast spreader do not drive too close to a creek or ditch and be alert for holes and other hazards which could cause you to loose control of the broadcast spreader and tractor.
- Before operating vehicle on any grade (hill) refer to the safety rules in the vehicle owner's manual concerning safe operation on slopes. Stay off steep slopes!
- Follow maintenance and lubrication instructions as outlined in this manual.

## CARTON CONTENTS

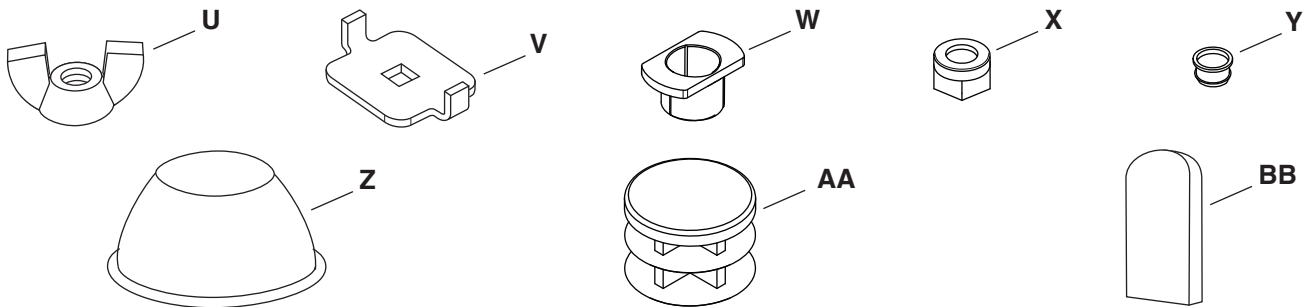


REF	QTY	PART NO	DESCRIPTION	REF	QTY	PART NO	DESCRIPTION
1	1	41084	Hopper	8	1	23687	Bracket, Hitch
2	2	40880	Wheels	9	1	41937	Tube, Hitch
3	1	42009	Tube, Hitch Support	10	1	41930	Flow Control Rod
4	1	42008	Tube, Hitch Support	11	2	27312	Hopper Brace
5	1	42311	Tube, Hopper Support	12	1	04367	Spreader Impeller
6	1	42312	Tube, Hopper Support	13	1	-----	Axle/Gearbox Assembly
7	1	27313	Cross Brace	14	1	-----	Flow Control Assembly

## SHOWN FULL SIZE



## NOT SHOWN FULL SIZE



### HARDWARE PACKAGE

REF	QTY	PART NO	DESCRIPTION	REF	QTY	PART NO	DESCRIPTION
A	1	47623	Hitch Pin	O	4	R19212016	Washer, 5/8"
B	2	49870	Hex Bolt, 1/4" x 2-1/2"	P	1	44101	Cotter Pin, 3/32" x 3/4"
C	2	46699	Hex Bolt, 1/4" x 2"	Q	1	43093	Cotter Pin, 1/8" x 1-1/2"
D	6	1509-69	Hex Bolt, 1/4" x 1-3/4"	R	1	46855	Cotter Pin, 3/16" x 2"
E	2	43648	Hex Bolt, 1/4" x 1-1/2"	S	1	48934	Hairpin, Agitator
F	1	43661	Hex Bolt, 1/4" x 1"	T	1	43343	Hairpin Cotter
G	2	43840	Hex Bolt, 5/16" x 1-1/4"	U	1	47141	Wing Nut
H	1	49950	Carriage Bolt, 1/4" x 3/4"	V	1	24858	Adjustable Stop
I	2	47810	Hex Nut, 5/16" Nylock	W	2	40315	Bearing, Flat Sided
J	13	47189	Hex Nut, 1/4" Nylock	X	1	44285	Hopper Bushing
K	1	23625	Spacer	Y	1	741-0475	Bushing, 3/8" Plastic
L	2	48857	Spacer	Z	2	48499B	Hub Cap
M	9	43088	Washer, 1/4"	AA	3	49449	Plug
N	5	1543-69	Washer, Nylon	BB	1	43848	Grip

# ASSEMBLY INSTRUCTIONS

## TOOLS REQUIRED FOR ASSEMBLY

- (1) Hammer
- (1) Pliers
- (2) 7/16" Wrenches
- (2) 1/2" Wrenches

Lay out and identify parts and hardware using the illustrations on pages 2 and 3.

### STEP 1: (SEE FIGURE 1)

- Insert a plug (AA) into the end of the hitch tube (9).
- Attach the hitch bracket (8) to the hitch tube using two 5/16" x 1-1/4" hex bolts (G) and 5/16" nylock nuts (I). **Tighten.**
- Install the hitch pin (A) in the hitch bracket and hitch tube and secure it with the hairpin cotter (T).

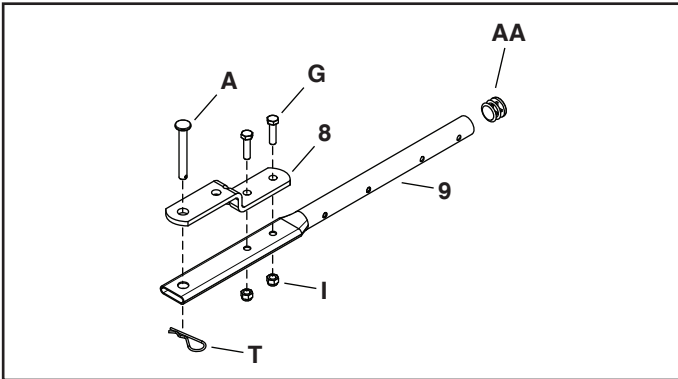


FIGURE 1

### STEP 2: (SEE FIGURE 2)

- Attach the hitch support tubes (3), and (4) to the hitch tube using one 1/4" x 2" hex bolt (C) and 1/4" nylock nut (J). **Do not tighten completely.**

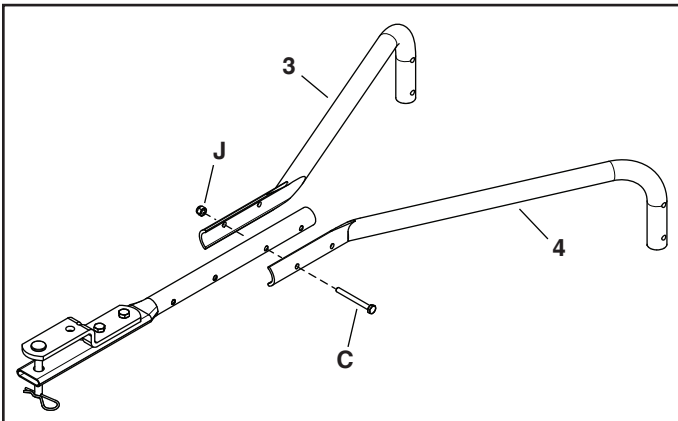


FIGURE 2

### STEP 3: (SEE FIGURE 3)

- Insert plugs (AA) into the ends of the hopper support tubes (5) and (6).
- Attach hopper support tube (5) and hopper support tube (6) to the hitch support tubes as shown, using two 1/4" x 1-1/2" hex bolts (E) and 1/4" nylock nuts (J). **Do not tighten completely.**

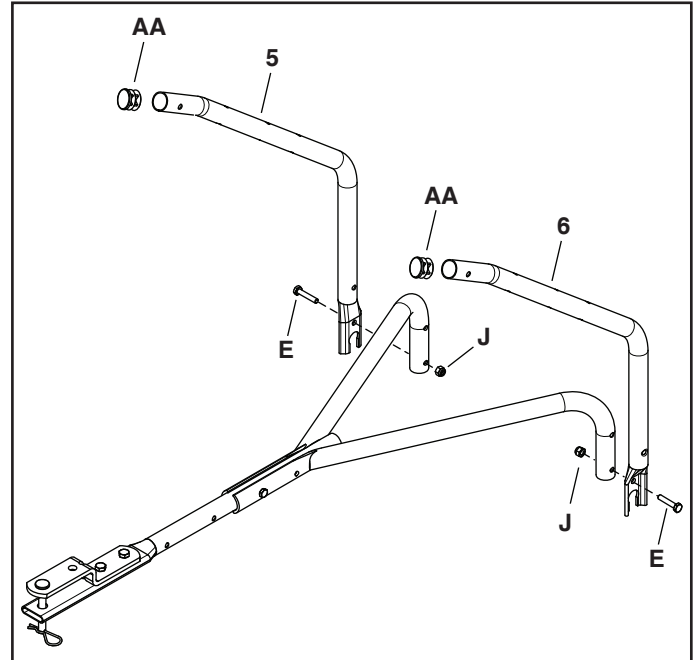


FIGURE 3

### STEP 4: (SEE FIGURE 4)

- Insert the bushing (Y) into the cross brace (7).
- Attach the cross brace to the hopper support tubes using two 1/4" x 2-1/2" hex bolts (B) and 1/4" nylock nuts (J). **Do not tighten completely.**

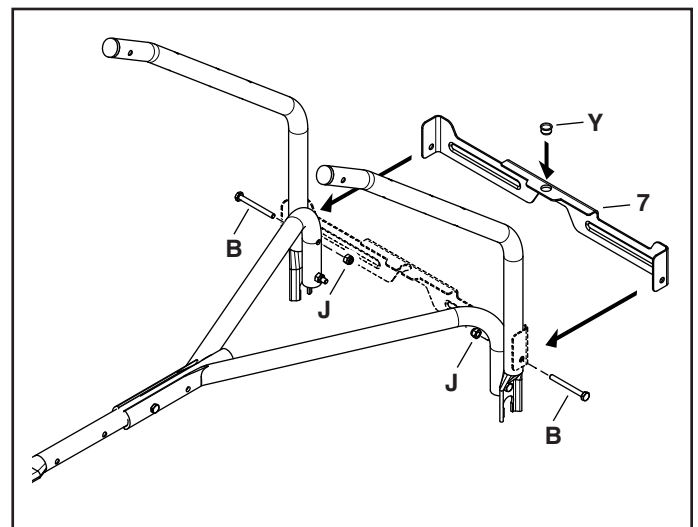


FIGURE 4

### STEP 5: (SEE FIGURE 5)

- Install the gearbox by inserting the end of the verticle shaft into the cross brace bushing and inserting the axle into the ends of the hopper support tubes. Be sure the hole in the axle is located on the side shown in figure 5.

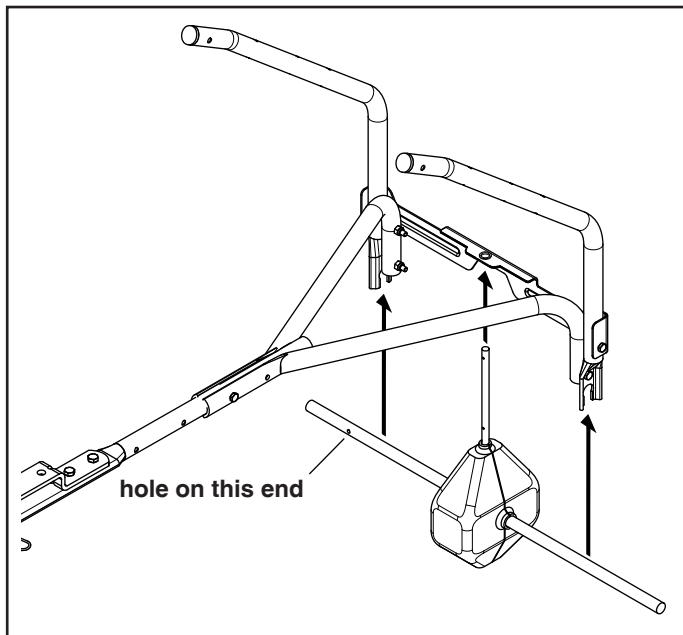


FIGURE 5

### STEP 7: (SEE FIGURE 7)

- Place the hopper on the hopper support tubes, inserting the spreader shaft up through the square hole in the bottom of the hopper.
- Slide the hopper bushing (X) onto the spreader shaft and insert it into the bottom of the hopper.
- Slide the spacer (K) onto the spreader shaft.
- Install the agitator hairpin (S) in the spreader shaft.

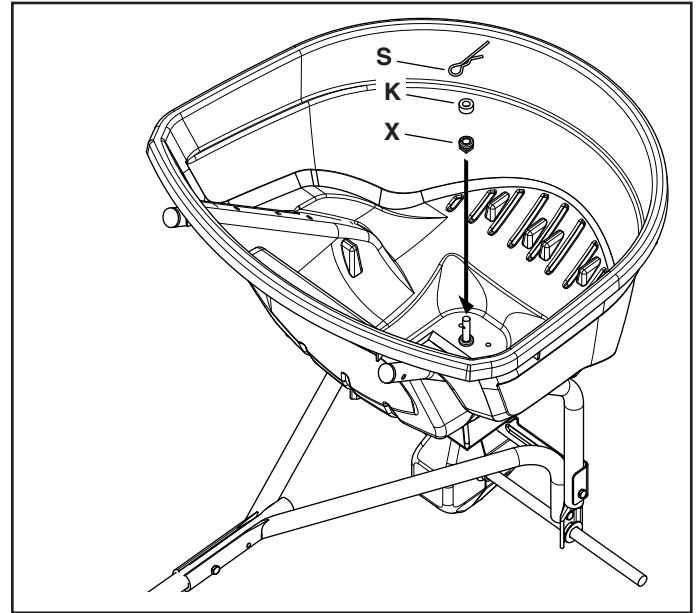


FIGURE 7

### STEP 6: (SEE FIGURE 6)

- Slide the flat sided bearings (W) onto the axle and insert them into the ends of the hopper support tubes.
- Slide the spreader impeller (12) onto the spreader shaft and secure it with a 1/8" x 1-1/2" cotter pin (Q).

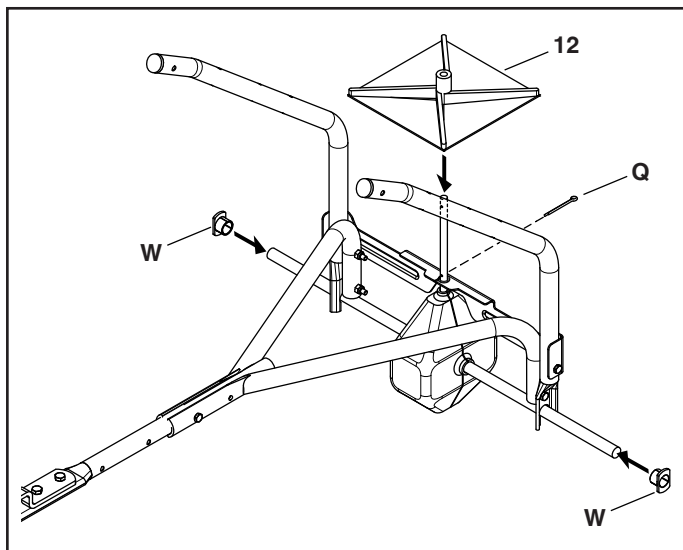


FIGURE 6

### STEP 8: (SEE FIGURE 8)

- Attach the hopper to the hopper support tubes using four 1/4" x 1-3/4" hex bolts (D), 1/4" washers (M), nylon washers (N) and 1/4" nylock nuts (J). **Make only finger tight.**
- Insert the 1/4" x 1" hex bolt (F) into the hole in the bottom of the hopper, pressing the head of the bolt into the hex shaped recess of the hole. Install a 1/4" nylock nut (J) onto the bolt and **tighten.**

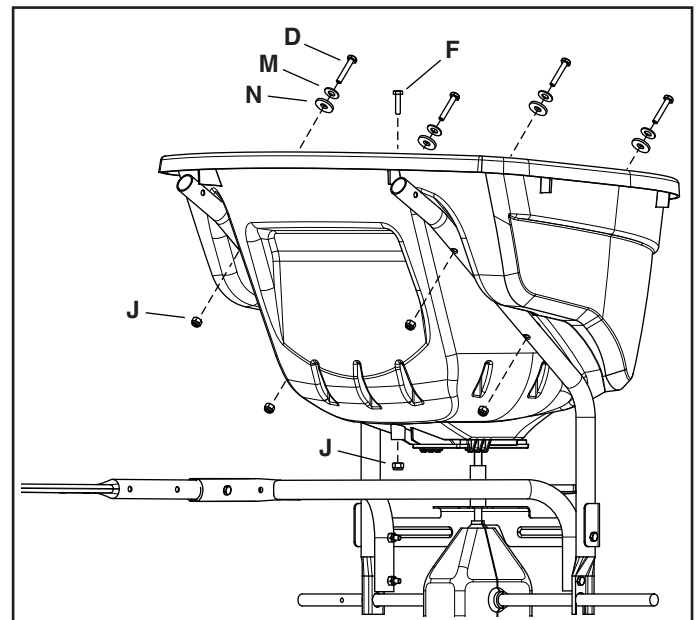


FIGURE 8

### STEP 9: (SEE FIGURE 9)

- Install the grip (BB) onto the flow control arm.
- Assemble the adjustable stop (V) to the flow control bracket using the 1/4" x 3/4" carriage bolt (H), nylon washer (N) and wing nut (U).

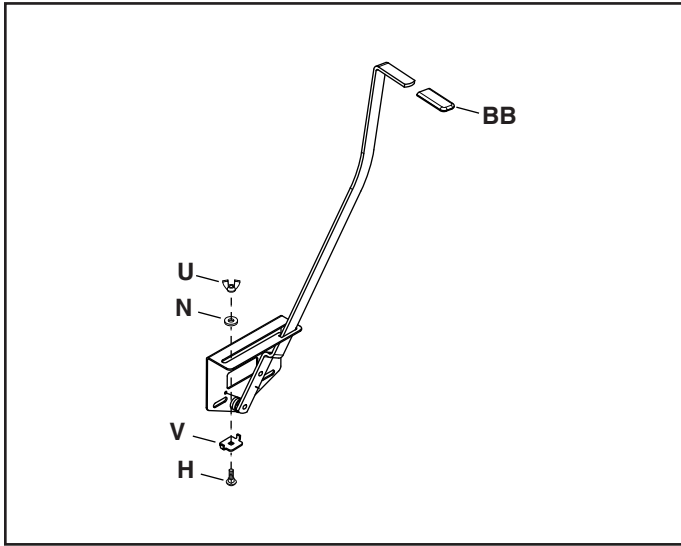


FIGURE 9

### STEP 11: (SEE FIGURE 11)

- Install the end of the flow control rod (10) with no hole into the elongated hole in the flow plate on the bottom of the hopper. Lock the rod in the flow plate by rotating the rod.

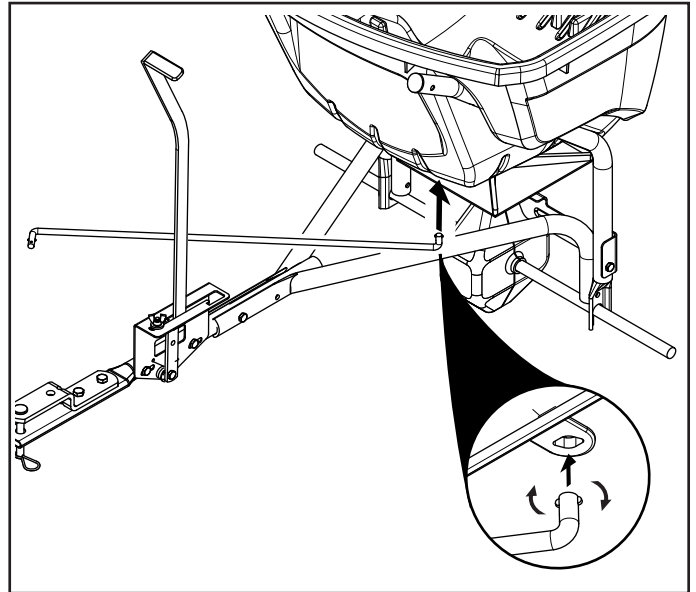


FIGURE 11

### STEP 10: (SEE FIGURE 10)

- Attach the flow control bracket to the hitch tube using two 1/4" x 1-3/4" hex bolts (D), four 1/4" washers (M) and two 1/4" nylock nuts (J). **Do not tighten completely.**

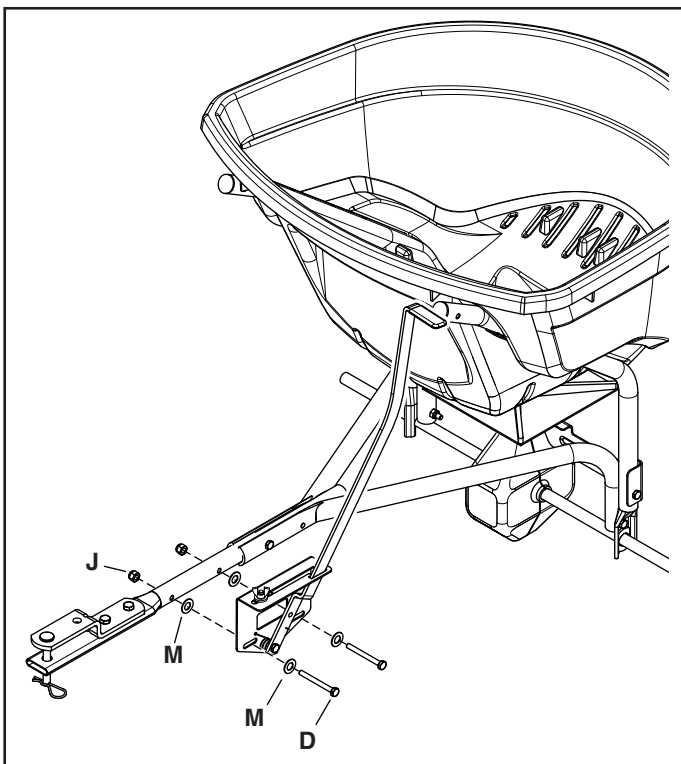


FIGURE 10

### STEP 12: (SEE FIGURE 12)

- Swing the flow control rod around and insert the end of the rod into the flow control arm. Secure it with a 1/4" washer (M) and a 3/32" x 3/4" cotter pin (P).

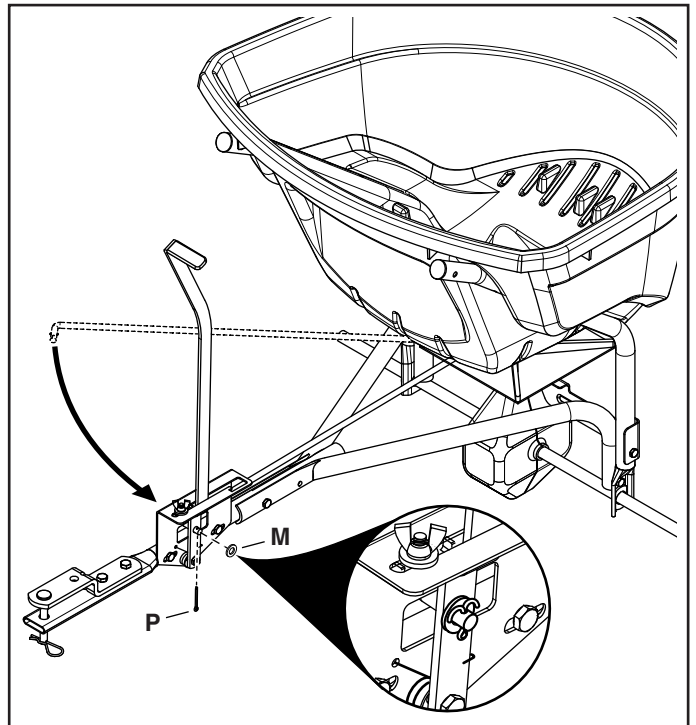


FIGURE 12



### STEP 13: (SEE FIGURE 13)

- Fasten the hopper braces (11) to the hopper support tubes using the nylock nuts (J) that were assembled earlier. **Do not tighten completely.**
- Fasten the loose ends of the hopper braces to the hitch tube using a 1/4" x 2" hex bolt (C) and a 1/4" nylock nut (J). **Do not tighten completely.**

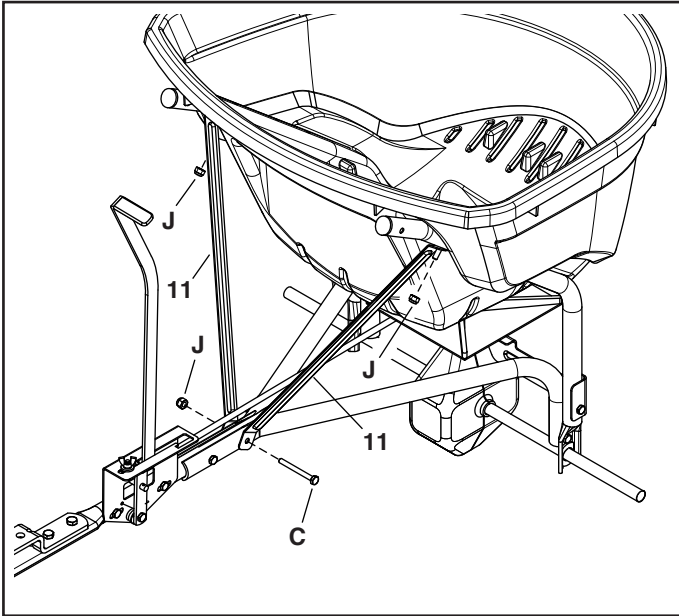


FIGURE 13

### STEP 14:

- **Tighten** all bolts and nuts **except** for those shown in step 10 that fasten the control bracket to the hitch tube.

### STEP 15: (SEE FIGURE 14)

- Slide a 5/8" washer (O), a spacer (L), a 5/8" washer (O) and a wheel onto the end of the axle with no hole.
- Carefully hammer a hub cap (Z) onto the axle.

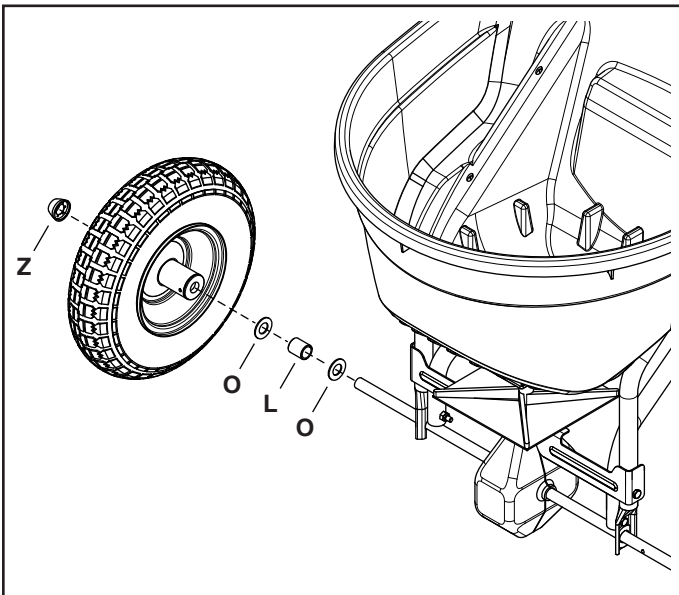


FIGURE 14

### STEP 16: (SEE FIGURE 15)

- Slide a 5/8" washer (O), a spacer (L), a 5/8" washer (O) and a wheel onto the end of the axle with a hole.
- Attach the wheel to the axle with a 3/16" x 2" cotter pin (R).
- Carefully hammer a hub cap (Z) onto the axle.

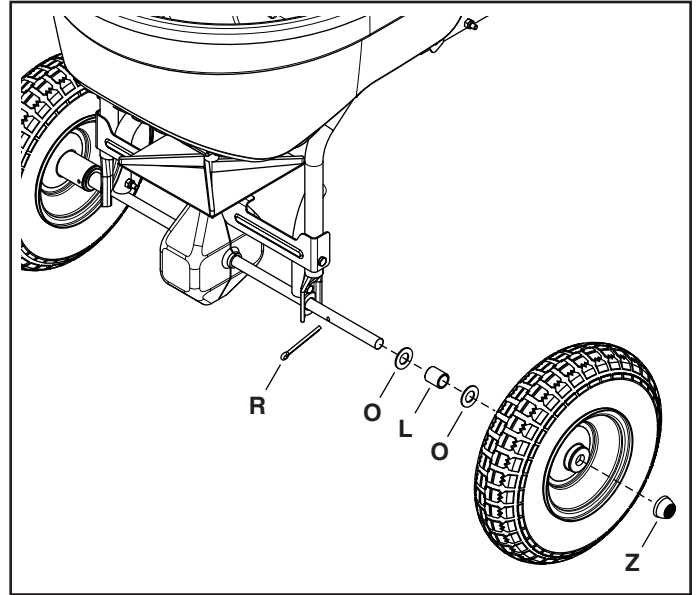


FIGURE 15

### STEP 17: (SEE FIGURE 16)

- Set the adjustable stop at "5" and move the control handle back against it.
- Slide the control bracket along the hitch tube until the flow plate in the bottom of the hopper is open half way.
- Tighten the bolts and nuts fastening the control bracket. **Do not deform** the control bracket.
- Make sure the flow plate will open and close all the way. Readjust if necessary.

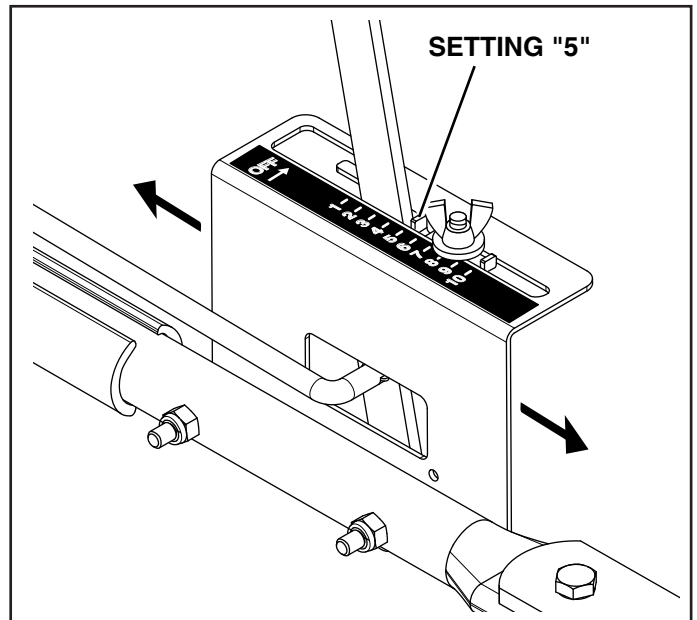


FIGURE 16

# OPERATION

## HOW TO USE YOUR SPREADER

### SETTING THE FLOW CONTROL

(Refer to figure 16 on page 7.)

1. Loosen the wing nut, set the adjustable stop to the desired flow rate setting and retighten the wing nut. The higher the setting number, the wider the opening in the bottom of the hopper.
2. Refer to the application chart on this page and to the instructions on the fertilizer bag to select the proper flow rate setting.
3. Pull the flow control arm against the adjustable stop for the on position. Push the flow control arm toward the hopper and then over into the locking notch for the off position.

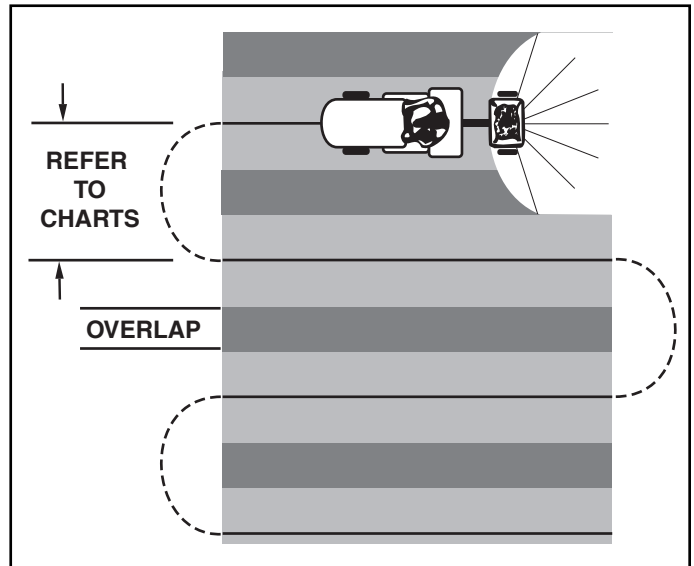
## USING YOUR SPREADER

**IMPORTANT:** Do not exceed 6 mph. Speeds above 6 mph may cause excessive wear of the spreader gears.

We do not recommend the use of any powdered lawn chemicals, due to difficulty in obtaining a satisfactory or consistent broadcast pattern.

1. Determine approximate square footage of area to be covered and estimate amount of material required.
2. Make sure the flow plate is closed.
3. Fill the hopper, breaking up any lumpy fertilizer.
4. Refer to the instructions on the fertilizer bag and to the application chart on this page to set the adjustable stop to the proper flow rate setting. The application chart is calculated for light to heavy application at a vehicle speed of 3 mph, or 100 ft. in 23 seconds. A variation in speed will require an adjustment of the flow rate to maintain the same coverage. The broadcast width may increase as speed increases. **Do not exceed 6 mph.**
5. Always start the tractor in motion before opening the flow plate.
6. Always close the flow plate before turning or stopping the tractor.
7. If fertilizer is accidentally deposited too heavily in a small area, soak the area thoroughly with a garden hose or sprinkler to prevent burning of the lawn.
8. To insure uniform coverage, make each pass so that the broadcast pattern slightly overlaps the pattern from the previous pass as shown in figure 17. The approximate broadcast widths for different materials are shown in the application chart on this page.
9. When broadcasting weed control fertilizers, make sure the broadcast pattern does not hit evergreen trees, flowers or shrubs.

10. Heavy moisture conditions may require use of a vinyl hopper cover to keep contents dry. The cover acts as a wind and moisture shield, but should not be used as a rain cover. The #41316 cover can be ordered as an option. See pages 18 and 19.



**FIGURE 17**

**IMPORTANT:** Application rates shown in the chart are affected by humidity and by the moisture content of the material (granular and pellet). Some minor setting adjustments may be necessary to compensate for this condition.

### APPLICATION CHART

MATERIAL TYPE	FLOW SETTING	SPREAD WIDTH
<i>FERTILIZER</i>		
Powder	3 - 5	3' - 4'
Granular	3 - 5	8' - 10'
Pelleted	3 - 5	10' - 12'
Organic	6 - 8	6' - 8'
<i>GRASS SEED</i>		
Fine	3 - 4	6' - 7'
Coarse	4 - 5	8' - 9'
<i>ICE MELTER</i>	6 - 8	10' - 12'

**OPERATING SPEED - 3 MPH.** (100 ft. in 23 seconds)



# MAINTENANCE

## CHECK FOR LOOSE FASTENERS


1. Before each use, make a thorough visual check of the spreader for any bolts and nuts which may have loosened. Retighten any loose bolts and nuts.

## CHECK FOR WORN OR DAMAGED PARTS

2. Check for worn or damaged parts before each use. Repair or replace parts if necessary.

## CHECK TIRE INFLATION

3. Check if tires are adequately inflated before each use. Do not inflate tires beyond maximum recommended pressure on tire.



**CAUTION: DO NOT** inflate tires beyond the maximum recommended pressure printed on side of tire.

## CLEANING

4. Rinse inside of hopper and exterior of spreader and allow to dry before storing.

## LUBRICATE (See figure 18)

5. Remove the three clips from the gear box and separate the gearbox housings.
6. Lightly apply automotive grease as needed to the gears.
7. Lightly oil the top of the gear box and the vertical spreader shaft.
8. Re-assemble the gearbox housings and secure them with the clips.
9. Oil the (idler) wheel and the axle bushings at least once a year or more often as needed.

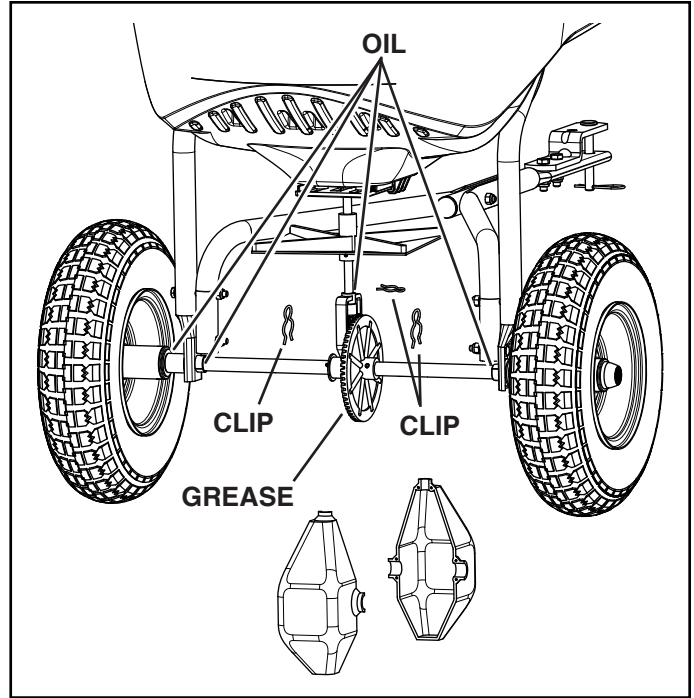
# STORAGE

1. Rinse inside of hopper and exterior of spreader and allow to dry before storing.
2. Store in a clean, dry area.

# SERVICE AND ADJUSTMENTS

1. If the axle and gear assembly is disassembled, mark down the positions of the parts as they are removed. The drive wheel and large gear positions, in relation to the small gear, determine which direction the impeller will spin. Be sure to reassemble them in their original positions. (Refer to parts exploded view on page 18). Make sure the washers (items 18 and 31 on page 18 and 19) are in place when assembling the axle components. Add grease to gears. See figure 18.

**NOTE:** Cross brace not shown for clarity.



**FIGURE 18**

## CONSIGNES DE SÉCURITÉ

N'oubliez pas qu'un matériel motorisé peut causer des blessures s'il est mal utilisé ou si son utilisateur ne comprend pas comment s'en servir. Agissez avec précaution en permanence quand vous utilisez un matériel motorisé.



Ce symbole indique les précautions de sécurité importantes. Il signifie — attention ! Soyez alerte ! Votre sécurité est en jeu !



**ATTENTION** : Le freinage et la stabilité du véhicules risquent d'être affectées par l'ajout d'un accessoire. Ayez conscience des conditions changeantes sur les pentes.

- Lisez le manuel du propriétaire du véhicule tracteur, ainsi que les règles de sécurité des véhicules tracteurs. Sachez comment faire fonctionner votre tracteur avec l'épandeur centrifuge.
- Lisez sur l'étiquette relative aux produits chimiques les instructions et les avertissements relatifs à la manipulation et à l'application des produits chimiques à épandre.
- Portez des lunettes protectrices et des gants quand vous manipulez et quand vous épandez des produits chimiques pour la pelouse ou le jardin.
- Ne conduisez jamais un tracteur avec un épandeur sans porter des chaussures solides, et ne laissez personne se faire transporter ou s'asseoir sur le châssis de l'épandeur.
- Ne laissez jamais des enfants se servir du tracteur ou de l'épandeur, et ne laissez pas des adultes s'en servir sans qu'ils n'aient reçu des instructions correctes.
- Démarrez toujours avec la boîte de vitesse en première (petite vitesse) et le moteur à bas régime, et augmentez la vitesse progressivement si les conditions le permettent. Vitesse maximale de remorquage – 6 mi/h.
- En remorquant un épandeur centrifuge, ne vous approchez pas trop près d'une crique ou d'un fossé, et faites attention aux éventuels trous ou autres dangers susceptibles de vous faire perdre le contact de l'épandeur et du tracteur.
- Avant de faire rouler un véhicule sur une pente, consultez les règles de sécurité relatives au fonctionnement sur les pentes qui figurent au manuel d'utilisation du véhicule. Évitez les fortes pentes.
- Respectez les instructions d'entretien et de graissage figurant dans le présent manuel.

## INSTRUCTIONS DE MONTAGE

### OUTILS NÉCESSAIRE POUR LE MONTAGE

- (1) Pincettes
- (1) Marteau
- (2) Clefs de 7/16 po
- (2) Clefs de 1/2 po

Disposez les pièces et la quincaillerie de la manière illustrée aux pages 2 et 3 et identifiez-les.

### ÉTAPE 1 : (VOIR LA FIGURE 1)

- Insérez un obturateur (AA) dans l'extrémité du tube d'attelage (9).
- Fixez le support d'attelage (8) au tube d'attelage à l'aide de deux boulons hexagonaux de 5/16 po x 1-1/4 po (G) et de deux écrous autofreinés de 5/16 po (I). **Serrez.**
- Installez la broche d'attelage (A) dans le support et le tube d'attelage et fixez-le tout à l'aide de la goupille fendue (T).

### ÉTAPE 2 : (VOIR LA FIGURE 2)

- Fixez les tubes-support d'attelage (3) et (4) au tube d'attelage, à l'aide d'un boulon hexagonal de 1/4 po x 2 po et d'un écrou autofreiné de 1/4 po (J). **Ne serrez pas complètement.**

### ÉTAPE 3 : (VOIR LA FIGURE 3)

- Insérez les obturateurs (AA) dans les extrémités des tubes-supports de la trémie (5) et (6).
- Fixez les tubes-support d'attelage (5) et (6) de la trémie aux tubes-support d'attelage, à l'aide de deux boulons hexagonaux de 1/4 po x 1-1/2 po (E) et écrous autofreinés de 1/4 po (J). **Ne serrez pas complètement.**

### ÉTAPE 4 : (VOIR LA FIGURE 4)

- Insérez la bague (Y) dans le support transversal (7).
- Fixez le support transversal aux tubes-support de la trémie à l'aide de deux boulons hexagonaux de 1/4 po x 2-1/2 po (B) et écrous autofreinés de 1/4" (J). **Ne serrez pas complètement.**

### ÉTAPE 5 : (VOIR LA FIGURE 5)

- Installez la boîte de vitesses en insérant l'extrémité du bras vertical dans la bague du support transversal et en insérant l'essieu dans les extrémités des tubes-support de la trémie. Vérifiez que le trou de l'essieu est situé sur le côté illustré à la figure 5.

### ÉTAPE 6 : (VOIR LA FIGURE 6)

- Faites glisser les roulements avec côté plat (W) sur l'essieu et insérez-les dans les extrémités des tubes-support de la trémie.
- Faites glisser l'hélice d'épandage (12) sur le bras d'épandage et fixez-la à l'aide d'une goupille fendue de 1/8 po x 1-1/2 po (Q).

### ÉTAPE 7 : (VOIR LA FIGURE 7)

- Placez la trémie sur ses tubes-support, en insérant le bras d'épandage à travers le trou carré situé en bas de la trémie.
- Faites glisser la bague de la trémie (X) sur le bras d'épandage et insérez-la dans le bas de trémie.
- Faites glisser l'entretoise (K) sur le bras d'épandage.
- Installez la goupille de l'agitateur (S) dans le bras d'épandage.

### ÉTAPE 8 : (VOIR LA FIGURE 8)

- Fixez la trémie aux tubes-support de trémie à l'aide de quatre boulons hexagonaux de 1/4 po x 1-3/4 po (D), de rondelles de 1/4 po (M), de rondelles en nylon (N) et écrous autofreinés de 1/4 po (J). Ne serrez qu'avec les doigts.
- Insérez le boulon hexagonal de 1/4 po x 1 po (F) dans le trou situé en bas de la trémie, en appuyant la tête du boulon contre la fente hexagonale créée par le trou. Installez un écrou autofreiné de 1/4 po (J) sur le boulon et serrez le tout.

### ÉTAPE 9 : (VOIR LA FIGURE 9)

- Installez la poignée (BB) sur le bras de contrôle de débit.
- Fixez la butée réglable (V) au support de contrôle de débit à l'aide du boulon de carrosserie de 1/4 po x 3/4 po (H), de la rondelle en nylon (N) et de l'écrou à oreilles (U).

### ÉTAPE 10 : (VOIR LA FIGURE 10)

- Fixez le support de contrôle du débit au tube d'attelage à l'aide de deux boulons hexagonaux de 1/4 po x 1-3/4 po (D), de quatre rondelles de 1/4" (M) et de deux écrous autofreinés de 11/4 po (J). **Ne serrez pas complètement.**

### ÉTAPE 11 : (VOIR LA FIGURE 11)

- Installez l'extrémité de la barre de contrôle de débit (10) sans trou dans le trou long situé dans la plaque de débit, en bas de la trémie. Verrouillez la barre dans la plaque de débit en faisant pivoter la barre.

### ÉTAPE 12 : (VOIR LA FIGURE 12)

- Faites pivoter la barre de contrôle de débit et insérez son extrémité dans le bras de contrôle de débit. Fixez-la à l'aide d'une rondelle de 1/4 po (M) et d'une goupille fendue de 3/32 po x 3/4 po.

### ÉTAPE 13 : (VOIR LA FIGURE 13)

- Fixez les barres de support de trémie (11) aux tubes-support de trémie à l'aide des écrous autofreinés (J) assemblés plus tôt. **Ne serrez pas complètement.**
- Fixez les extrémités des barres transversales de la trémie au tube d'attelage à l'aide de deux boulons hexagonaux de 1/4 po x 2 po (C) et d'un écrou autofreiné de 1/4 po (J). **Ne serrez pas complètement.**

### ÉTAPE 14 :

- **Serrez** tous les boulons et écrous à l'exception de ceux illustrés à l'étape 10 et qui fixent le support de contrôle au tube d'attelage.

### ÉTAPE 15 : (VOIR LA FIGURE 14)

- Faites glisser une rondelle de 5/8 po (O), une entretoise de 5/8 po (O) et une roue sur l'extrémité gauche de l'essieu.
- Installez avec soin un enjoliveur (Z) sur l'essieu en tapant dessus avec un marteau.

### ÉTAPE 16 : (VOIR LA FIGURE 15)

- Faites glisser une rondelle de 5/8 po (O), une entretoise (L), une rondelle de 5/8 po (O) et une roue sur l'extrémité droite de l'essieu.
- Fixez la roue à l'essieu à l'aide d'une goupille fendue de 3/16 po x 2 po (R).
- Installez avec soin un enjoliveur (Z) sur l'essieu en tapant dessus avec un marteau.

### ÉTAPE 17 : (VOIR LA FIGURE 16)

- Installez la butée réglable à "5" et déplacez la poignée de contrôle vers l'arrière jusqu'à ce qu'elle soit en contact avec la butée.
- Faites glisser le support de contrôle contre le tube d'attelage jusqu'à ce que la plaque de débit située en bas de la trémie soit à moitié ouverte.
- Serrez les boulons et les écrous pour fixer le support de contrôle. Ne déformez pas le support de contrôle.
- Vérifiez que la plaque de débit s'ouvre et se ferme complètement. Réglez-la à nouveau si besoin est.

## UTILISATION

### COMMENT UTILISER VOTRE ÉPANDEUR AÉRATEUR RÉGLAGE DU DÉBIT

(Reportez-vous à la figure 16 de la page 7)

1. Desserrez l'écrou à oreilles, réglez la butée au taux de débit désiré et resserrez l'écrou à oreilles. Plus le réglage est élevé, plus l'ouverture est large en bas de la trémie.
2. Consultez le tableau d'applications de cette page et les instructions situées sur le sac d'engrais pour sélectionner le réglage du taux de débit.
3. Tirez le bras de contrôle du débit contre la butée réglable pour la position marche. Appuyez sur le bras de contrôle du débit, afin qu'il se dirige vers la trémie puis dans la fente de verrouillage pour la position d'arrêt.

### UTILISATION DE VOTRE ÉPANDEUR

**IMPORTANT** : Ne dépassez pas 6 mi/h. Une vitesse supérieure à 6 mi/h risque d'entraîner une usure excessive des engrenages de l'épandeur.

Nous déconseillons l'emploi de produits chimiques en poudre pour pelouses, en raison de la difficulté à obtenir un épandage satisfaisant avec eux.

1. Déterminez la superficie approximative à traiter et évaluez la quantité de produit nécessaire.
2. Assurez-vous que la plaque de débit est fermée.
3. Remplissez la trémie, en cassant les éventuels grumeaux d'engrais.
4. Consultez les instructions situées sur le sac d'engrais et sur le tableau d'applications de cette page pour régler la butée à un taux de débit adéquat. Le tableau d'applications est calculé pour une application légère à forte à une vitesse de 3 mph (4,5 km/h) ou 30 m en 23 secondes. Si la vitesse change, vous devrez régler le taux de débit pour maintenir la même couverture. La largeur de diffusion peut augmenter lorsque la vitesse augmente. **Ne dépassez jamais les 6 mph (9 km/h).**
5. Il faut toujours mettre le tracteur en mouvement avant d'ouvrir la plaque de débit.
6. Il faut toujours fermer la plaque de débit avant d'effectuer un virage ou un arrêt.
7. En cas de dépôt accidentel d'une grande quantité d'engrais sur une petite surface, bien imbiber celle-ci d'eau avec un tuyau d'arrosage ou un arroseur pour éviter une brûlure de la pelouse.
8. Pour assurer un épandage uniforme, effectuez chaque passe de sorte que sa couverture recouvre légèrement celle de la passe précédente, comme indiqué par la figure 17. Les largeurs approximatives de couverture pour différents produits sont indiquées dans le tableau d'application ci-contre.
9. Lors de l'épandage d'engrais désherbants, assurez-vous que l'aire d'épandage ne touche pas d'arbres à feuillage persistant, de fleurs ni d'arbustes.

10. Par forte humidité, il pourra être nécessaire d'utiliser un couvercle en vinyle sur la trémie pour garder son chargement au sec. Le couvercle protège contre le vent et l'humidité, mais n'est pas prévu pour protéger de la pluie. On peut commander le couvercle N° 41316 en option. Voir les pages 18 et 19.

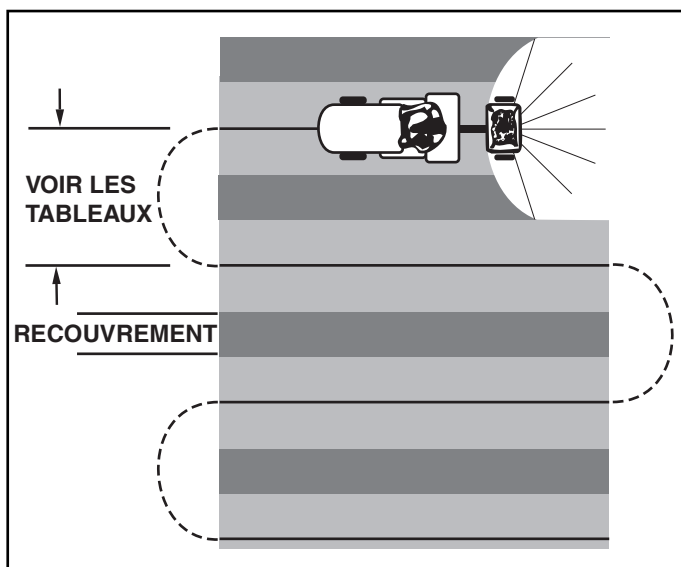


FIGURE 17

**IMPORTANT** : Les taux d'application indiqués dans le tableau varient en fonction de l'humidité et du taux d'humidité du produit (taille des granulés). Il pourra être nécessaire d'effectuer des réglages mineurs pour compenser les conditions atmosphériques.

TABLEAU D'APPLICATION

TYPE DE PRODUIT	RÉGLAGE DU DÉBIT	LARGEUR D'ÉPANDAGE
<i>ENGRAIS</i>		
En poudre	3 - 5	3 pi - 4 pi (0,9 - 1,2 m)
Granulés	3 - 5	8 pi - 10 pi (2,4 - 3 m)
Pastilles	3 - 5	10 pi - 12 pi (3 - 3,5 m)
Organiques	6 - 8	6 pi - 8 pi (1,8 - 2,43 m)
<i>GRAINES DE GAZON</i>		
Fines	3 - 4	6 pi - 7 pi (1,8 - 2,13 m)
Grosses	4 - 5	8 pi - 9 pi (2,43 - 2,74 m)
<i>PRODUITS DE DÉGLAÇAGE</i>	6 - 8	10 pi - 12 pi (3 - 3,5 m)

**VITESSE DE FONCTIONNEMENT**  
3 MI/H. (100 pi en 23 secondes)

## ENTRETIEN

### VÉRIFIEZ LE BON SERRAGE DE LA VISSERIE

1. Avant chaque utilisation, effectuez une vérification visuelle approfondie de l'épandeur, pour vérifier qu'aucun boulon ou écrou n'est desserré. Resserrez tout boulon ou écrou éventuellement desserré.

### VÉRIFIEZ QU'AUCUNE PIÈCE N'EST USÉE OU ENDOMMAGÉE

2. Vérifiez avant chaque utilisation qu'aucune pièce n'est usée ou endommagée. Réparez ou remplacez les pièces, le cas échéant.

### VÉRIFIEZ LE GONFLAGE DES PNEUS

3. Vérifiez avant chaque utilisation que les pneus sont correctement gonflés. Ne gonflez pas les pneus au-delà de la pression maximale préconisée sur le pneu.



**ATTENTION:** NE gonflez PAS les pneus au-delà de la pression maximale préconisée inscrite sur le flanc du pneu.

### NETTOYAGE

4. Rincez l'intérieur de la trémie et l'extérieur de l'épandeur, puis laissez la sécher, avant de l'entreposer.

### GRAISSAGE (voir la figure 18)

5. Retirez les trois attaches du réducteur, en en faisant glisser deux sur l'essieu et le dernier sur l'axe de l'épandeur. Ouvrez les carters du réducteur.
6. Appliquez une légère couche de graisse automobile à la demande sur les pignons.
7. Huilez légèrement le dessus du boîtier du réducteur et l'arbre vertical de l'épandeur.
8. Remontez les carters du réducteur et fixez les à l'aide des attaches.
9. Huilez la roue folle et les bagues de l'essieu au minimum une fois par an, voir plus souvent, à la demande.

## ENTREPOSAGE

1. Rincer l'intérieur de la trémie et l'extérieur de l'épandeur, puis laisser sécher, avant de l'entreposer.
2. Entreposer dans un local propre et sec.

## SERVICE ET RÉGLAGES

1. En cas de démontage de l'essieu et du réducteur, marquez les positions des pièces au fur et à mesure de leur démontage. Les positions de la roue dentée d'entraînement et du grand pignon par rapport au petit pignon déterminent le sens de rotation de l'agitateur. Veillez à les remonter dans leurs positions d'origine. (Se référer à l'éclaté des pièces à la page 18). Assurez-vous que les rondelles (repères 18 et 31 pages 18 et 19) sont en place lors du montage des composants de l'essieu. Ajoutez de la graisse sur les pignons.

**REMARQUE:** le support transversal n'est pas montré ici pour plus de clarté.

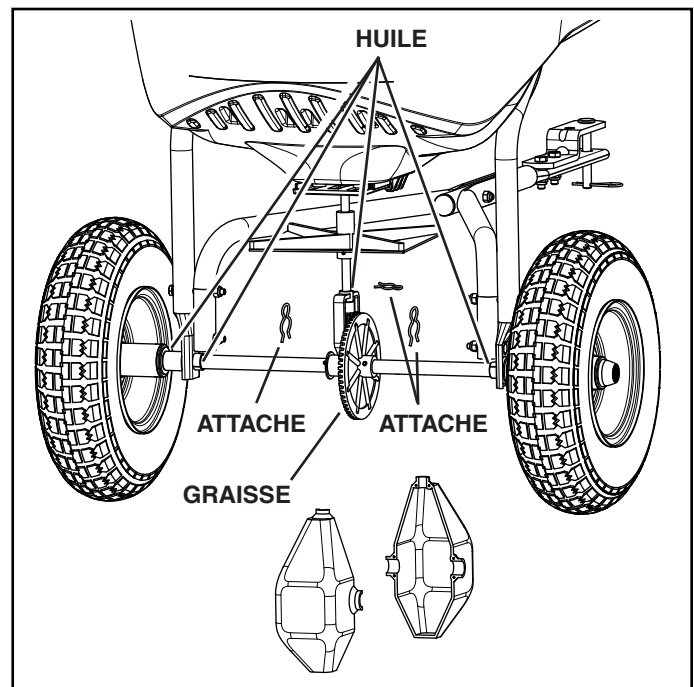


FIGURE 18

## REGLAS DE SEGURIDAD

Recuerde que los equipos eléctricos pueden causar lesiones si no se operan correctamente o si el usuario no sabe cómo operar el equipo.



Preste atención a este símbolo ya que indica precauciones de seguridad importantes. Significa — ¡atención! ¡Esté alerta! Su seguridad está en juego.



**PRECAUCIÓN:** El sistema de freno y la estabilidad del vehículo pueden verse afectados con la adición de un accesorio. Preste atención a las condiciones cambiantes en las pendientes.

Siempre tome las precauciones debidas al utilizar equipo motorizado.

- Lea el manual del usuario del vehículo de remolque y las normas de seguridad del vehículo de remolque. Sepa cómo operar el tractor antes de utilizar el accesorio de esparcidor a voleo.
- Lea las instrucciones de la etiqueta del producto químico respecto a la manipulación y aplicación de productos químicos adquiridos para aplicarlos por voleo.
- Use protección para los ojos y las manos cuando manipule y aplique productos químicos para el césped o jardín.
- Nunca opere el tractor y el accesorio esparcidor sin usar zapatos protectores resistentes, y no permita que nadie se monte o sienta en la estructura del accesorio esparcidor.
- Nunca permita que los niños operen el tractor o el accesorio esparcidor, y no permita que adultos los operen sin las instrucciones apropiadas.
- Siempre empiece con la transmisión en el primer cambio (bajo) y con el motor a baja velocidad, y gradualmente aumente la velocidad según las condiciones lo permitan. Velocidad de remolque máxima - 6 M.P.H.
- Al remolcar el esparcidor por voleo no conduzca demasiado cerca a riachuelos o zanjas y esté alerta a huecos u otros peligros que podrían causar que pierda el control del esparcidor por voleo y el tractor.
- Antes de operar el vehículo en pendientes (colinas) consulte las normas de seguridad en el manual del propietario del vehículo concernientes a operación segura en pendientes. ¡Manténgase alejado de pendientes pronunciadas!
- Siga las instrucciones de mantenimiento y lubricación tal como se describen en este manual.

## INSTRUCCIONES DE ENSAMBLAJE

### HERRAMIENTAS REQUERIDAS PARA EL ENSAMBLAJE

- (1) Alicates
- (1) Martillo
- (2) Llaves de 7/16 pulg.
- (2) Llaves de 1/2 pulg.

Despliegue e identifique las partes y la tornillería utilizando las ilustraciones en las páginas 2 y 3.

### PASO 1: (VEA LA FIGURA 1)

- Inserte un tapón (AA) en el extremo del tubo del enganche (9).
- Acople el soporte del enganche (8) al tubo del enganche (5) usando dos pernos hexagonales de 5/16 pulg. x 1-1/4 pulg. (G) y tuercas de cierre de nylon de 5/16 pulg. (I). **Apriete.**
- Instale el pasador del enganche (A) en el soporte del enganche y tubo del enganche y asegúrelo con pasador de horquilla (T).



## PASO 2: (VEA LA FIGURA 2)

- Acople los tubos de soporte (4) e (3) del enganche al tubo de soporte usando un perno hexagonal de 1/4 pulg. x 2 pulg. (C) y tuerca de cierre de nylon de 1/4 pulg. (J). **No apriete completamente.**

## PASO 3: (VEA LA FIGURA 3)

- Inserte los tapones (AA) en los extremos de los tubos de soporte (6) e (5) de la tolva.
- Acople los tubos de soporte (5) e (6) de la tolva al tubo de soporte del enganche usando dos pernos hexagonales de 1/4 pulg. x 1-1/2 pulg. (E) y tuerca de cierre de nylon de 1/4 pulg. (J). **No apriete completamente.**

## PASO 4: (VEA LA FIGURA 4)

- Inserte el buje (Y) dentro del soporte transversal (7).
- Acople el soporte transversal a los tubos de soporte de la tolva usando dos pernos hexagonales de 1/4 pulg. x 2-1/2 pulg. (B) y tuercas de cierre de nylon de 1/4 pulg. (J). **No apriete completamente.**

## PASO 5: (VEA LA FIGURA 5)

- Instale el engranaje insertando el extremo del eje vertical en el buje del soporte transversal e insertando el eje en los extremos de los tubos de soporte de la tolva. Asegúrese de que el agujero del eje esté ubicado en el lado mostrado en la figura 5.

## PASO 6: (VEA LA FIGURA 6)

- Deslice los cojinetes de lado plano (W) en el eje e insértelos dentro de los extremos de los tubos de soporte de la tolva.
- Deslice el impulsor del esparcidor (12) sobre el eje del esparcidor y asegúrelo con un pasador de horquilla de 1/8 pulg. x 1-1/2 pulg. (Q).

## PASO 7: (VEA LA FIGURA 7)

- Coloque la tolva sobre los tubos de soporte de la tolva, insertando hacia arriba el eje del esparcidor a través del agujero cuadrado situado en la base de la tolva.
- Deslice el buje de la tolva (X) en el eje del esparcidor e insértelo dentro de la base de la tolva.
- Deslice el espaciador (K) en el eje del esparcidor.
- Instale el pasador de horquilla del agitador (S) en el eje del esparcidor.

## PASO 8: (VEA LA FIGURA 8)

- Acople la tolva a los tubos de soporte de la tolva usando cuatro pernos hexagonales de 1/4 pulg. x 1-3/4 pulg. (D), arandelas de 1/4 pulg. (M), arandelas de nylon (N) y tuercas de cierre de nylon 1/4 pulg. (J). Apriete con los dedos solamente.
- Inserte el perno hexagonal de 1/4 pulg. x 1 pulg. (F) dentro del agujero situado en la base de la tolva, presionando la cabeza del perno dentro de la cavidad hexagonal del agujero. Instale una tuerca de cierre de nylon de 1/4 pulg. (J) en el perno y apriete.

## PASO 9: (VEA LA FIGURA 9)

- Instale el agarre (BB) en el brazo de control de flujo.
- Ensamble el tope ajustable (V) al soporte de control de flujo usando el perno de carruaje de 1/4 pulg. x 3/4 pulg. (H), arandela de nylon (N) y tuerca de mariposa (U).

## PASO 10: (VEA LA FIGURA 10)

- Acople el soporte de control de flujo al tubo de la tolva usando dos pernos hexagonales de 1/4 pulg. x 1-3/4 pulg. (D), cuatro arandelas de 1/4 pulg. (M) y dos tuercas de cierre de nylon 1/4 pulg. (J). **No apriete completamente.**

## PASO 11: (VEA LA FIGURA 11)

- Instale el extremo sin agujero de la varilla de control de flujo (10) en el agujero alargado de la placa de flujo situada en la base de la tolva. Asegure la varilla en la placa de flujo girando la varilla.

## PASO 12: (VEA LA FIGURA 12)

- Gire la varilla de control de flujo e inserte el extremo de la varilla en el brazo de control de flujo. Asegúrela con una arandela de 1/4 pulg. (M) y un pasador de horquilla de 3/32 pulg. x 3/4 pulg. (P).

## PASO 13: (VEA LA FIGURA 13)

- Fije los soportes de la tolva (11) a los tubos de soporte de la tolva usando las tuercas de cierre de nylon (J) ensambladas anteriormente. **No apriete completamente.**
- Fije al tubo del enganche los extremos sueltos de los soportes de la tolva usando un perno hexagonal de 1/4 pulg. x 2 pulg. (C) y una tuerca de cierre de nylon de 1/4 pulg. (J). **No apriete completamente.**

## PASO 14:

- **Apriete** todos los pernos y tuercas excepto los mostrados en el paso 10 que fijan el soporte de control al tubo del enganche.

## PASO 15: (VEA LA FIGURA 14)

- Deslice una arandela de a 5/8 pulg. (O), un espaciador (L), una arandela de 5/8 pulg. (O) y una rueda en el extremo izquierdo del eje.
- Martille con cuidado un tapacubo (Z) en el eje.

## PASO 16: (VEA LA FIGURA 15)

- Deslice una arandela de a 5/8 pulg. (O), un espaciador (L), una arandela de 5/8 pulg. (O) y una rueda en el lado derecho del eje.
- Acople la rueda al eje con un pasador de horquilla de 3/16 pulg. x 2 pulg. (R).
- Martille con cuidado un tapacubo (Z) en el eje.

## PASO 17: (VEA LA FIGURA 16)

- Fije el tope ajustable en "5" y mueva la manija de control nuevamente contra el mismo.
- Deslice el soporte de control a lo largo del tubo del enganche hasta que la placa de flujo situada en la base de la tolva se abra hasta la mitad.
- Apriete los pernos y tuercas para fijar el soporte de control. No deforme el soporte de control.
- Asegúrese de que la placa de flujo se abra y cierre por completo. Reajuste si es necesario.

# OPERACIÓN

## FORMA DE USAR EL ESPARCIDOR GRADUACION DEL CONTROL DE FLUJO

(Refiérase a la figura 16 en la página 7)

1. Afloje la tuerca de mariposa, fije el tope ajustable según el régimen de flujo deseado y vuelva a apretar la tuerca de mariposa. Mientras más alto sea el ajuste, mayor será la abertura en la base de la tolva.
2. Consulte el gráfico de aplicación en esta página y las instrucciones de la bolsa del fertilizante para seleccionar el régimen de flujo apropiado.
3. Mueva el brazo de control de flujo contra el tope ajustable para la posición de activación. Mueva el brazo de control de flujo hacia la tolva y luego dentro de la muesca de bloqueo para colocarlo en la posición de desactivación.

## CÓMO UTILIZAR EL ESPARCIDOR

**IMPORTANTE:** No exceda las 6 mph. Velocidades mayores de 6 mph pueden causar excesivo desgaste de los engranajes del esparcidor.

No recomendamos el uso de productos químicos en polvo para césped, debido a la dificultad de obtener un patrón de voleo satisfactorio u homogéneo.

1. Determine el área aproximada en pies cuadrados que se cubrirán y calcule el monto de material requerido.
2. Asegúrese de que la placa de flujo está cerrada.
3. Llene la tolva, y disuelva el fertilizante grumoso.
4. Consulte las instrucciones que aparecen en la bolsa del fertilizante y la tabla de aplicación en esta página para fijar el tope ajustable en el régimen de flujo apropiado. La tabla de aplicación está calculada para aplicaciones de servicio ligero a pesado a una velocidad del vehículo de 3 mph (4,5 km/h), o 30 metros en 23 segundos. Una variación en la velocidad requerirá ajuste del régimen de flujo para mantener la misma cobertura. A medida que aumenta la velocidad, puede aumentar el ancho del voleo. **No exceda una velocidad de 6 mph (9 km/h).**
5. Siempre ponga el tractor en movimiento antes de abrir la placa de flujo.
6. Siempre cierre la placa de flujo antes de dar una vuelta o detener el tractor.
7. Si se deposita demasiado fertilizante de manera accidental en un área pequeña, eche bastante agua con una manguera o rociador para evitar que el jardín se queme.
8. Para asegurar una cobertura uniforme, haga cada pase de manera que el patrón de voleo se sobreponga livianamente al patrón del pase previo como se muestra en la figura 17. El ancho de voleo aproximado para diferentes materiales se muestra en la tabla de aplicación de esta página.
9. Al volear fertilizantes para el control de hierba mala, asegúrese de que el patrón de voleo no llegue a los árboles, flores ni arbustos verdes perennes.

10. En condiciones de bastante humedad puede requerirse el uso de una cubierta de vinilo para tolva a fin de que el contenido se mantenga seco. La cubierta funciona como un protector contra el viento y la humedad, pero no debe usarse como cubierta para proteger contra la lluvia. Como opción, puede hacer un pedido de la cubierta #41316. Vea las páginas 18 y 19.

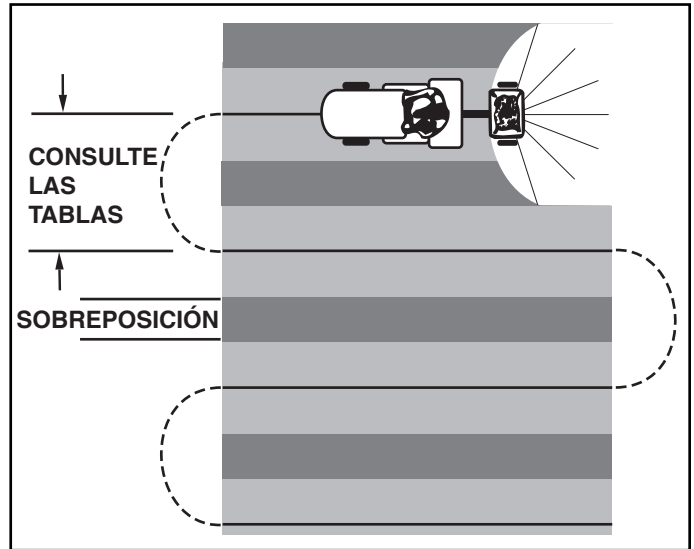


FIGURA 17

**IMPORTANTE** Los regímenes de aplicación que aparecen en la tabla se ven afectados por la humedad y el contenido de humedad del material (granular o microgránulos). Puede que sea necesario hacer algunos pequeños ajustes para compensar en caso se presenten estas condiciones.

TABLA DE APLICACIÓN

Tipo De Material	Configuración Del Flujo	Ancho De Esparcimiento
<b>Fertilizante</b>		
Polvo	3 - 5	3 pies - 4 pies (0,9 - 1,2 m)
Granular	3 - 5	8 pies - 10 pies (2,4 - 3 m)
Microgranular	3 - 5	10 pies - 12 pies (3 - 3,5 m)
Orgánico	6 - 8	6 pies - 8 pies (1,8 - 2,43 m)
<b>Semilla Para Césped</b>		
Fina	3 - 4	6 pies - 7 pies (1,8 - 2,13 m)
Gruesa	4 - 5	8 pies - 9 pies (2,43 - 2,74 m)
<b>Para Derretir Hielo</b>		
	6 - 8	10 pies - 12 pies (3 - 3,5 m)

## VELOCIDAD DE OPERACIÓN

3 MPH. (100 pies en 23 segundos)

## MANTENIMIENTO

### VERIFIQUE QUE NO HAYAN SUJETADORES FLOJOS

1. Antes de cada uso, haga una inspección visual completa del esparcidor para verificar que no hayan pernos y tuercas flojos. Vuelva a ajustar los pernos y tuercas flojos.

### VERIFIQUE QUE NO HAYAN PIEZAS GASTADAS O DAÑADAS

2. Verifique que no hayan piezas gastadas o dañadas antes de cada uso. Repare o cambia las piezas si es necesario.

### REVISE EL AIRE EN LOS NEUMÁTICOS

3. Revise para ver que los neumáticos estén bien inflados antes de cada uso. No infle los neumáticos a una presión mayor que la máxima recomendada.



**PRECAUCIÓN:** NO infle los neumáticos a una presión máxima mayor que la recomendada, la cual está impresa a un lado del neumático.

### LIMPIEZA

4. Enjuague el interior de la tolva y el exterior del esparcidor y deje secar antes de guardar.

### LUBRICACIÓN (Vea la figura 18)

5. Retire los tres sujetadores de la caja de cambios, y deslice dos en el eje y uno en el eje del esparcidor. Separe las carcasas de la caja de cambios.
6. Aplique un poco de grasa de automóvil a los engranajes según sea necesario.
7. Aplique un poco de aceite encima de la caja de cambios y el eje vertical del esparcidor.
8. Vuelva a ensamblar las carcasas de la caja de cambios y asegúrelas con los sujetadores.
9. Coloque aceite en los bujes de los neumáticos (polea) y del eje una vez al año, o más seguido según sea necesario.

## ALMACENAMIENTO

1. Enjuague el interior de la tolva y el exterior del esparcidor y deje secar antes de guardar.
2. Almacene en un área limpia y seca.

## SERVICIO Y AJUSTES

1. Si desensambla el eje y los engranajes, marque las ubicaciones de las piezas a medida que las retira. Las ubicaciones de la rueda de dirección y el engranaje grande, en relación al engranaje pequeño, determinan en qué dirección girará el impulsor. Asegúrese de volver a ensamblarlas en sus ubicaciones originales. (Consulte la figura ampliada de las piezas en la página 18). Asegúrese de que las arandelas (piezas 18 y 31 en la página 18 y 19) estén en su lugar al ensamblar los componentes del eje. Coloque grasa en los engranajes.

**NOTA:** El soporte transversal no se muestra para hacer más clara la ilustración.

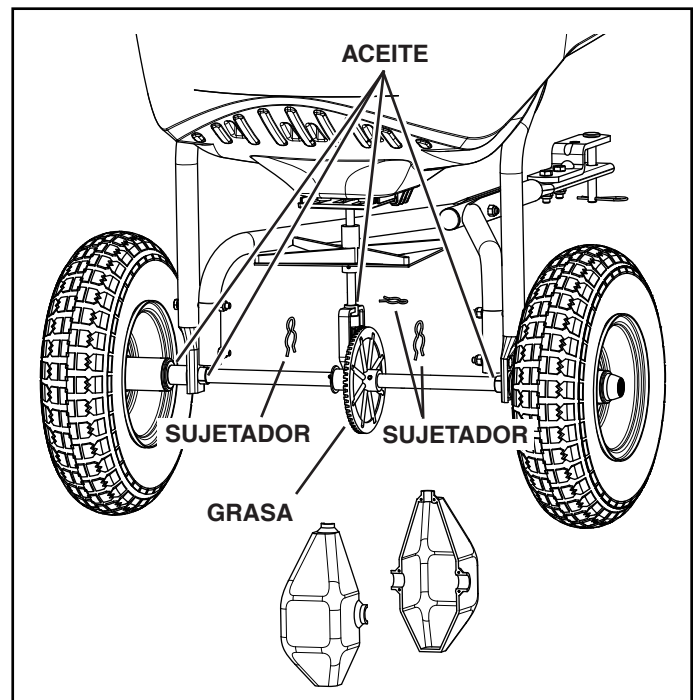
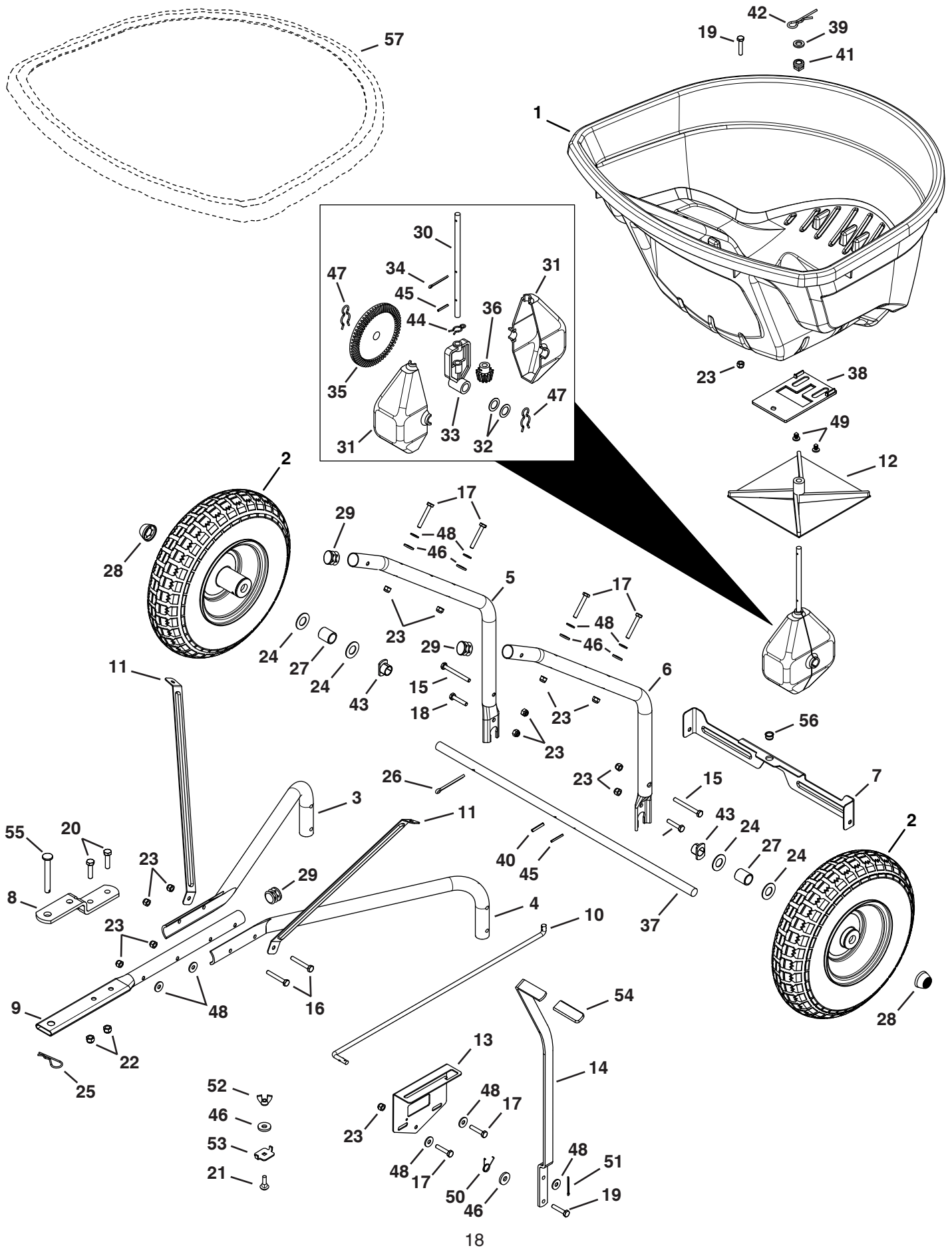


FIGURA 18

# REPAIR PARTS FOR 45-04631 130 LB. TOW SPREADER



# REPAIR PARTS FOR 45-04631 130 LB. TOW SPREADER

REF	QTY	PART NO	DESCRIPTION	REF	QTY	PART NO	DESCRIPTION
1	1	41084	Hopper	30	1	26711	Shaft, Spreader
2	2	40880	Wheel	31	2	47212	Housing, Large Gear
3	1	42009	Tube, Hitch Support	32	2	44125	Washer, .625 x 1.0 x .03
4	1	42008	Tube, Hitch Support	33	1	47204	Yoke, Large
5	1	42311	Tube, Hopper Support	34	1	43093	Cotter Pin, 1/8 x 1-1/2
6	1	42312	Tube, Hopper Support	35	1	47209	Gear, Large (Cast)
7	1	27313	Cross Brace	36	1	47205	Gear, Small (Cast)
8	1	23687	Bracket, Hitch	37	1	26710	Axle
9	1	41937	Tube, Hitch	38	1	42304	Plate, Flow
10	1	41930	Rod, Flow Control	39	1	23625	Spacer
11	2	27312	Brace, Hopper	40	1	43659	Pin, Spring, 3/16 x 1
12	1	04367	Spreader Impeller	41	1	44285	Bushing, Hopper Bottom Black
13	1	27322	Bracket, Flow Control Mount	42	1	48934	Hairpin, Agitator
14	1	27314	Arm, Flow Control	43	2	40315	Bearing, Flat Sided Flange
15	2	49870	Bolt, Hex 1/4-20 x 2-1/2	44	1	49898	Clip, Hairpin 5/8
16	2	46699	Bolt, Hex 1/4-20 x 2	45	2	46055	Pin, Spring 1/8 x 1
17	6	1509-69	Bolt, Hex 1/4-20 x 1-3/4	46	6	1543-69	Washer, Nylon .3281 x .75
18	2	43648	Bolt, Hex 1/4-20 x 1-1/2	47	2	49897	Clip, Hairpin 7/8
19	2	43661	Bolt, Hex 1/4-20 x 1	48	9	43088	Washer, 1/4 Std .312 x .734
20	2	43840	Bolt, Hex 5/16-18 x 1-1/4	49	2	48402	Plug, 1/4"
21	1	44950	Bolt, Carriage 1/4-20 x 3/4	50	1	42347	Spring, Torsion
22	2	47810	Nut, Hex 5/16-18 Nylock	51	1	44101	Pin, Cotter 3/32 X 3/4
23	14	47189	Nut, Hex 1/4-20 Nylock	52	1	47141	Nut, Wing 1/4-20
24	4	R19212016	Washer, .6562 x 1.25 x .0598	53	1	24858	Stop, Adjustable
25	1	43343	Pin, Hair Cotter 3/32 x 2-5/16	54	1	43848	Grip
26	1	46855	Pin, Cotter 3/16 x 2	55	1	47623	Pin, Hitch 3/8" x 3" Flat Hd
27	2	48857	Spacer, .64 ID x .84 OD x 1.00	56	1	741-0475	Bushing, 3/8" Plastic
28	2	48499B	Hub Cap	57	1	41316	Vinyl Cover (optional)
29	3	49449	Plug, 1" Tube		1	42313	Owners Manual

***SpeedEPart*** *the fastest way to purchase parts* [www.speedepart.com](http://www.speedepart.com)

**REPAIR PARTS**

Agri-Fab, Inc.  
809 South Hamilton  
Sullivan, IL. 61951  
217-728-8388  
[www.agri-fab.com](http://www.agri-fab.com)

This document (or manual) is protected under the U.S. Copyright Laws and the copyright laws of foreign countries, pursuant to the Universal Copyright Convention and the Berne convention. No part of this document may be reproduced or transmitted in any form or by any means, electronic or mechanical, including photocopying or recording, or by any information storage or retrieval system, without the express written permission of Agri-Fab, Inc. Unauthorized uses and/or reproductions of this manual will subject such unauthorized user to civil and criminal penalties as provided by the United States Copyright Laws.